



STGE50NB60HD

N-CHANNEL 50A - 600V ISOTOP PowerMESH™ IGBT

PRELIMINARY DATA

TYPE	V _{CES}	V _{CE(sat)}	I _C
STGE50NB60HD	600 V	< 2.8 V	50 A

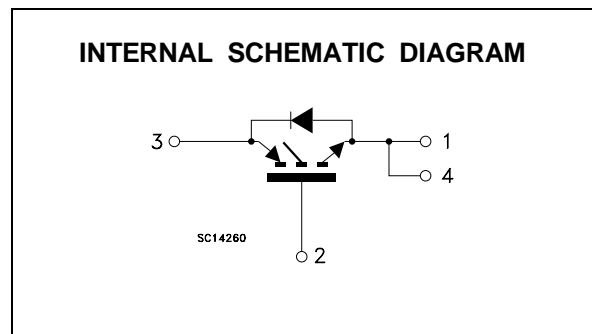
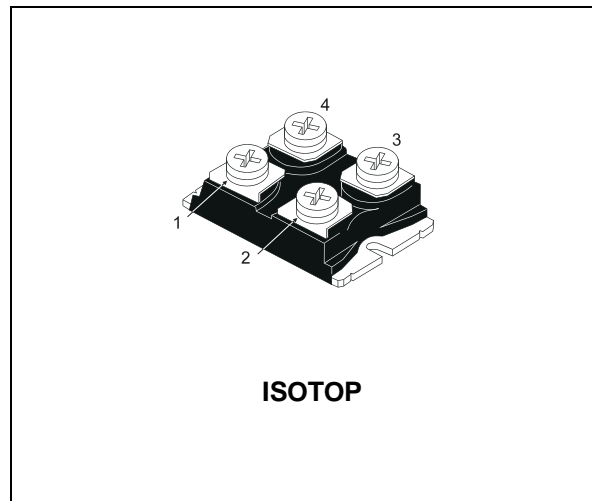
- HIGH INPUT IMPEDANCE (VOLTAGE DRIVEN)
- LOW ON-VOLTAGE DROP (V_{CESAT})
- LOW GATE CHARGE
- HIGH CURRENT CAPABILITY
- VERY HIGH FREQUENCY OPERATION
- OFF LOSSES INCLUDE TAIL CURRENT
- CO-PACKAGED WITH TURBOSWITCH™ ANTIPARALLEL DIODE

DESCRIPTION

Using the latest high voltage technology based on a patented strip layout, STMicroelectronics has designed an advanced family of IGBTs, the PowerMESH™ IGBTs, with outstanding performances. The suffix "H" identifies a family optimized to achieve very low switching times for high frequency applications (<120kHz).

APPLICATIONS

- HIGH FREQUENCY MOTOR CONTROLS
- WELDING EQUIPMENTS
- SMPS AND PFC IN BOTH HARD SWITCH AND RESONANT TOPOLOGIES



ABSOLUTE MAXIMUM RATINGS

Symbol	Parameter	Value	Unit
V _{CES}	Collector-Emitter Voltage (V _{GS} = 0)	600	V
V _{GE}	Gate-Emitter Voltage	± 20	V
I _C	Collector Current (continuous) at T _c = 25 °C	100	A
I _C	Collector Current (continuous) at T _c = 100 °C	50	A
I _{CM} (•)	Collector Current (pulsed)	400	A
P _{tot}	Total Dissipation at T _c = 25 °C	300	W
	Derating Factor	2.4	W/°C
T _{stg}	Storage Temperature	-65 to 150	°C
T _j	Max. Operating Junction Temperature	150	°C

(•) Pulse width limited by safe operating area

STGE50NB60HD

THERMAL DATA

R _{thj-case}	Thermal Resistance Junction-case	Max	0.416	°C/W
R _{thj-amb}	Thermal Resistance Junction-ambient	Max	30	°C/W
R _{thc-h}	Thermal Resistance Case-heatsink	Typ	0.1	°C/W

ELECTRICAL CHARACTERISTICS (T_j = 25 °C unless otherwise specified)

OFF

Symbol	Parameter	Test Conditions	Min.	Typ.	Max.	Unit
V _{BR(CES)}	Collector-Emitter Breakdown Voltage	I _C = 250 μA V _{GE} = 0	600			V
I _{CES}	Collector cut-off (V _{GE} = 0)	V _{CE} = Max Rating T _j = 25 °C V _{CE} = Max Rating T _j = 125 °C			100 1000	μA μA
I _{GES}	Gate-Emitter Leakage Current (V _{CE} = 0)	V _{GE} = ± 20 V V _{CE} = 0			± 100	nA

ON (*)

Symbol	Parameter	Test Conditions	Min.	Typ.	Max.	Unit
V _{GE(th)}	Gate Threshold Voltage	V _{CE} = V _{GE} I _C = 250 μA	3		5	V
V _{CE(SAT)}	Collector-Emitter Saturation Voltage	V _{GE} = 15 V I _C = 50 A V _{GE} = 15 V I _C = 50 A T _j = 125 °C		2.3 1.9	2.8	V V

DYNAMIC

Symbol	Parameter	Test Conditions	Min.	Typ.	Max.	Unit
g _{fs}	Forward Transconductance	V _{CE} = 25 V I _C = 50 A		22		S
C _{ies} C _{oes} C _{res}	Input Capacitance Output Capacitance Reverse Transfer Capacitance	V _{CE} = 25 V f = 1 MHz V _{GE} = 0		4500 450 90		pF pF pF
Q _G Q _{GE} Q _{GC}	Total Gate Charge Gate-Emitter Charge Gate-Collector Charge	V _{CE} = 480 V I _C = 50 A V _{GE} = 15 V		260 28 15		nC nC nC
I _{CL}	Latching Current	V _{clamp} = 480 V R _G = 10 Ω T _j = 150 °C	200			A

SWITCHING ON

Symbol	Parameter	Test Conditions	Min.	Typ.	Max.	Unit
t _{d(on)} t _r	Delay Time Rise Time	V _{CC} = 480 V I _C = 50 A V _{GE} = 15 V R _G = 10 Ω		20 70		ns ns
(di/dt) _{on}	Turn-on Current Slope	V _{CC} = 480 V I _C = 50 A R _G = 10 Ω V _{GE} = 15 V		350		A/μs
E _{on(▷)}	Turn-on Switching Losses	T _j = 125 °C		950		μJ

ELECTRICAL CHARACTERISTICS (continued)

SWITCHING OFF

Symbol	Parameter	Test Conditions	Min.	Typ.	Max.	Unit
t_c	Cross-Over Time	$V_{CC} = 480\text{ V}$ $I_C = 50\text{ A}$ $R_{GE} = 10\ \Omega$ $V_{GE} = 15\text{ V}$		166		ns
$t_r(V_{off})$	Off Voltage Rise Time			48		ns
$t_{d(off)}$	Delay Time			326		ns
t_f	Fall Time			90		ns
$E_{off(**)}$	Turn-off Switching Loss			2.1		mJ
$E_{ts(\circ)}$	Total Switching Loss			3		mJ
t_c	Cross-Over Time	$V_{CC} = 480\text{ V}$ $I_C = 50\text{ A}$ $R_{GE} = 10\ \Omega$ $V_{GE} = 15\text{ V}$ $T_j = 125\text{ }^\circ\text{C}$		270		ns
$t_r(V_{off})$	Off Voltage Rise Time			75		ns
$t_{d(off)}$	Delay Time			340		ns
t_f	Fall Time			200		ns
$E_{off(**)}$	Turn-off Switching Loss			2.9		mJ
$E_{ts(\circ)}$	Total Switching Loss			3.85		mJ

COLLECTOR-EMITTER DIODE

Symbol	Parameter	Test Conditions	Min.	Typ.	Max.	Unit
I_f	Forward Current				50	A
I_{fm}	Forward Current pulsed				400	A
V_f	Forward On-Voltage	$I_f = 50\text{ A}$ $I_f = 50\text{ A}$ $T_j = 125\text{ }^\circ\text{C}$				V
				2		V
t_{rr}	Reverse Recovery Time	$I_f = 50\text{ A}$ $V_R = 200\text{ V}$ $dI/dt = 100\text{ A}/\mu\text{S}$ $T_j = 125\text{ }^\circ\text{C}$		200		nS
Q_{rr}	Reverse Recovery Charge					nC
I_{rrm}	Reverse Recovery Current					A

- (●) Pulse width limited by max. junction temperature
- (○) Include recovery losses on the STTA2006 freewheeling diode
- (*) Pulsed: Pulse duration = 300 μs , duty cycle 1.5 %
- (**) Losses Include Also The Tail (Jedec Standardization)

Fig. 1: Gate Charge test Circuit

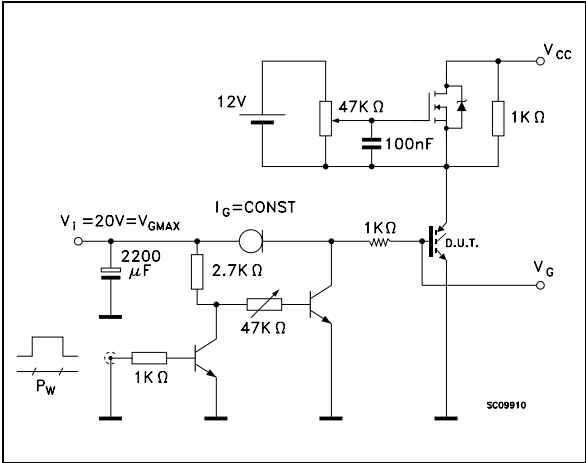


Fig. 2: Test Circuit For Inductive Load Switching

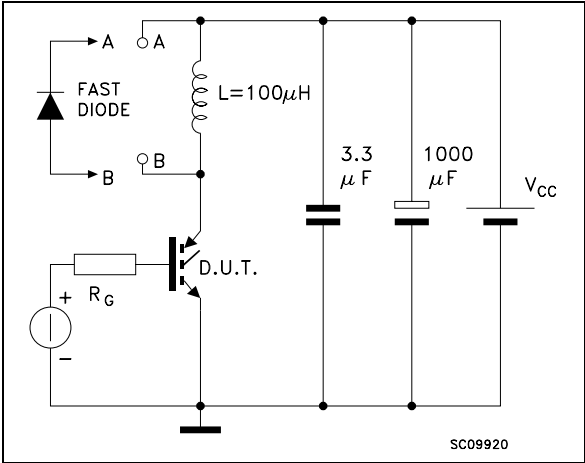
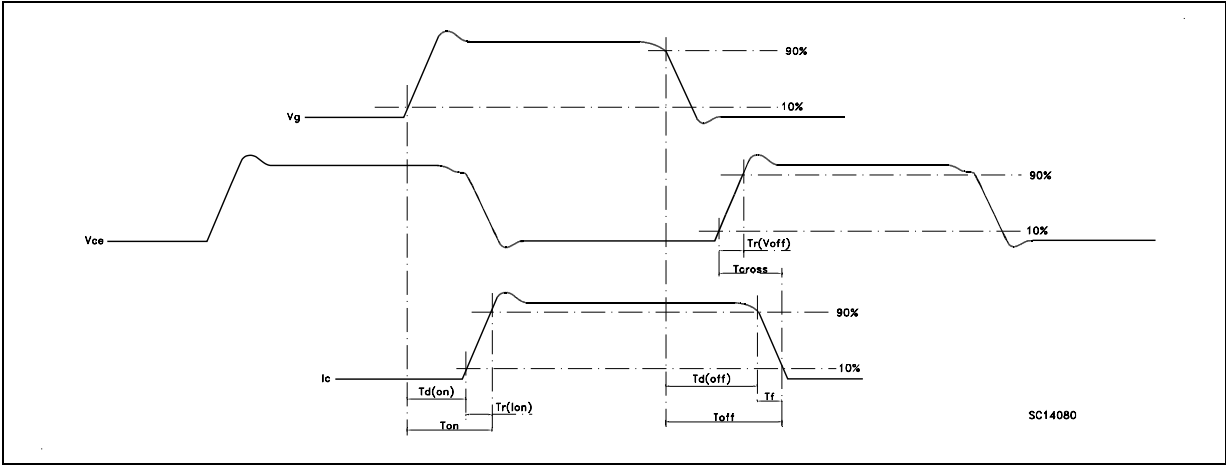
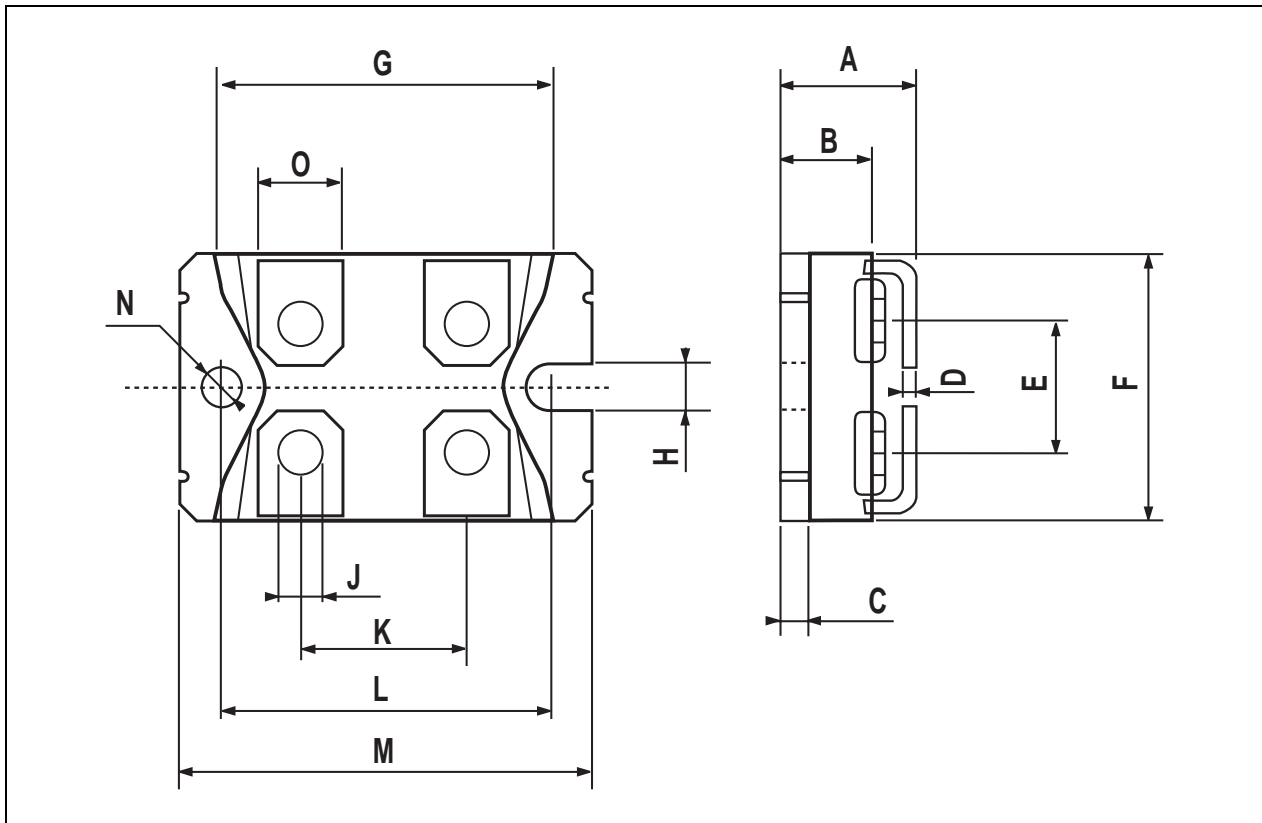


Fig. 3: Switching Waveforms



ISOTOP MECHANICAL DATA

DIM.	mm			inch		
	MIN.	TYP.	MAX.	MIN.	TYP.	MAX.
A	11.8		12.2	0.466		0.480
B	8.9		9.1	0.350		0.358
C	1.95		2.05	0.076		0.080
D	0.75		0.85	0.029		0.033
E	12.6		12.8	0.496		0.503
F	25.15		25.5	0.990		1.003
G	31.5		31.7	1.240		1.248
H	4			0.157		
J	4.1		4.3	0.161		0.169
K	14.9		15.1	0.586		0.594
L	30.1		30.3	1.185		1.193
M	37.8		38.2	1.488		1.503
N	4			0.157		
O	7.8		8.2	0.307		0.322



Information furnished is believed to be accurate and reliable. However, STMicroelectronics assumes no responsibility for the consequences of use of such information nor for any infringement of patents or other rights of third parties which may result from its use. No license is granted by implication or otherwise under any patent or patent rights of STMicroelectronics. Specification mentioned in this publication are subject to change without notice. This publication supersedes and replaces all information previously supplied. STMicroelectronics products are not authorized for use as critical components in life support devices or systems without express written approval of STMicroelectronics.

The ST logo is a trademark of STMicroelectronics

© 1999 STMicroelectronics – Printed in Italy – All Rights Reserved
STMicroelectronics GROUP OF COMPANIES

Australia - Brazil - China - Finland - France - Germany - Hong Kong - India - Italy - Japan - Malaysia - Malta - Morocco -
Singapore - Spain - Sweden - Switzerland - United Kingdom - U.S.A.

<http://www.st.com>